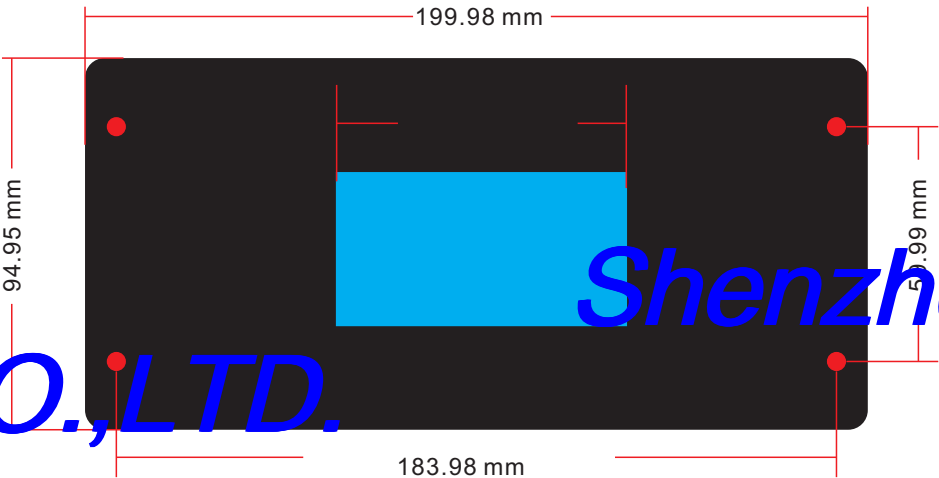
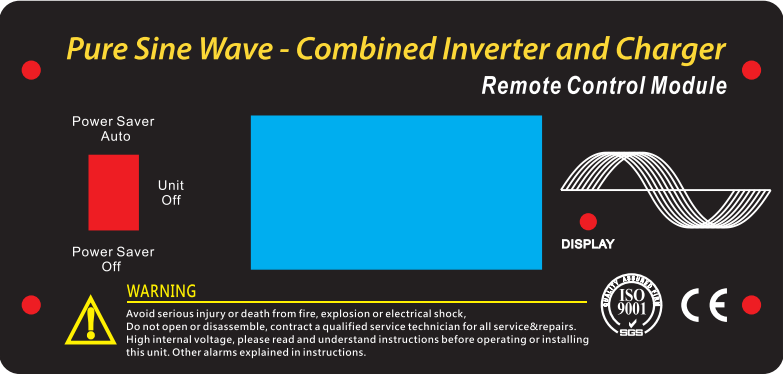


Remote Control Module Instruction

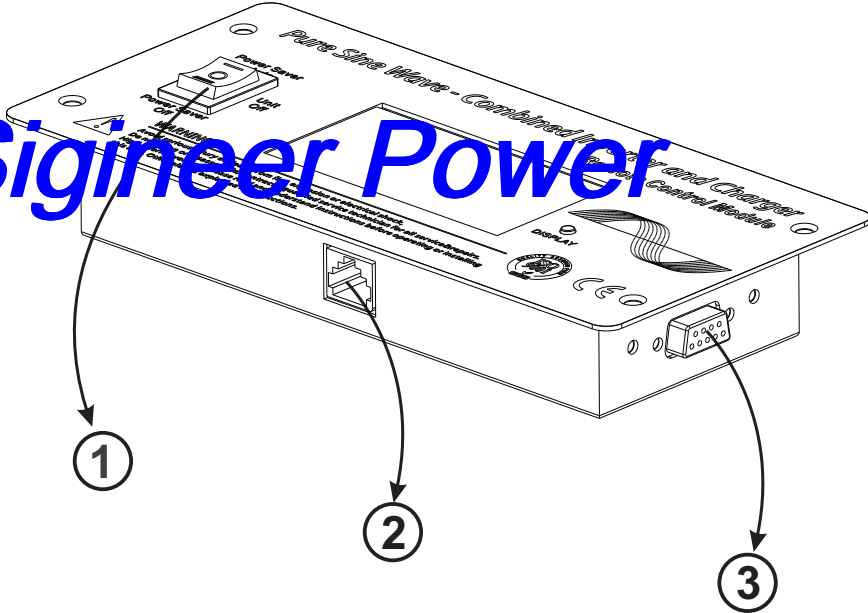


1. Overall Dimensions



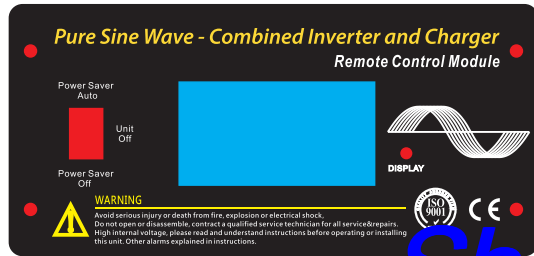
2. Front Impression Drawing

3. Function Description Drawing

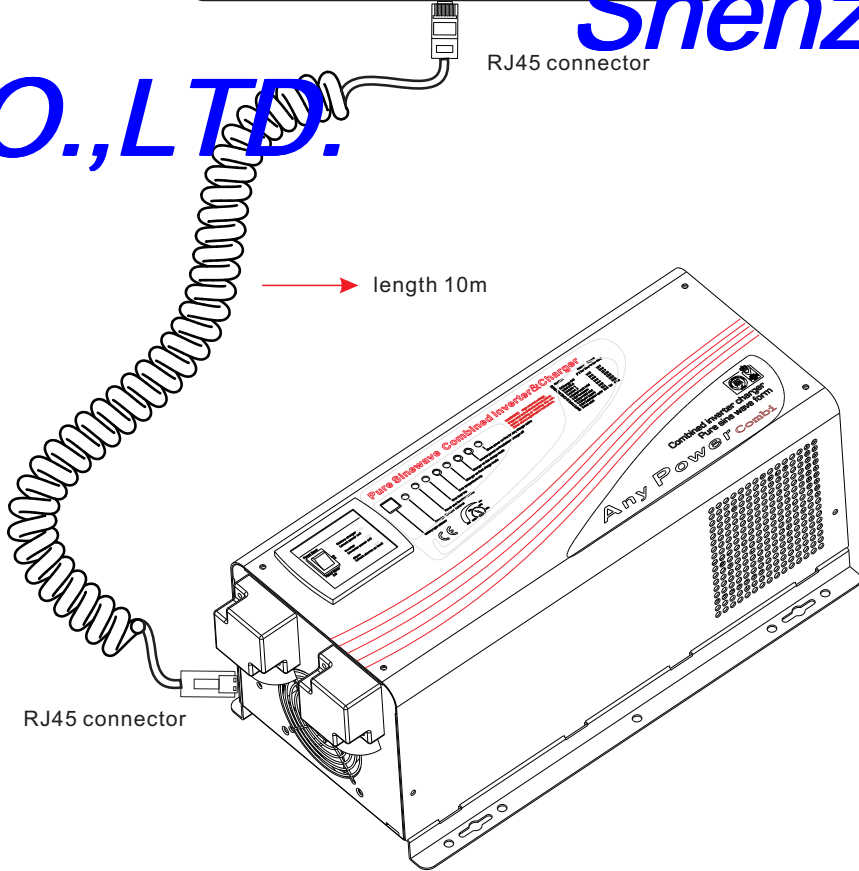


- ① Power Switch ON&OFF
- ② RJ45 Port (Remote Control)
- ③ RS232 Port (Optional)

4.Connection Diagram



RJ45 connector



RJ45 connector

5.LCD Display

SYSTEM OVERVIEW

Input AC: 000 V	Output AC: 000 V
Batt DC: 0000 V	Output Freq: 0000Hz
Output Load: 000%	Work mode: Online
Alarm: NO	
Fault: NO	



Input Ac: Real AC Input Line Voltage
 Batt Dc: Real Battery Voltage Or Charging Voltage
 Output Load: Real AC Load Percentage
 Alarm: Yes Or No (Ref Manual)
 Fault: Yes Or No (Ref Manual)
 Output Ac: Real AC Output Voltage
 Output Freq: 50Hz Or 60Hz
 Work Mode: Online Or Inverter

