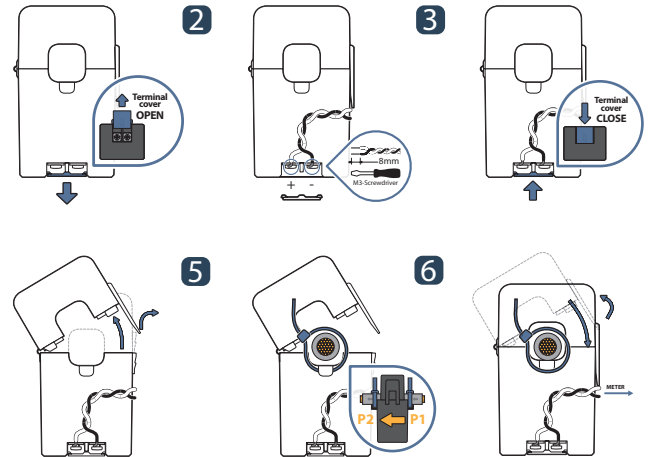




# PRECISION SPLIT-CORE CURRENT TRANSDUCER JCXXX-XXX-VH series



## HOW TO USE ①



The Split-core Current Transducer, VH Series, is designed for energy management, with a convenient connection to electronic submeter. It may also be applied for current measurement in a system of distributed power line carriers (PLCs) or remote controls such as SCADA software for automation and supervision. Other applications include security and condition monitoring, load monitoring, in protection systems, and for predictive maintenance of conveyers, pumps or HVAC motors.

### APPLICATIONS

- HVAC & Pumps
- Refrigeration
- Small Industrial Motors
- Fans
- Lighting

### FEATURES

- Nylon-spring, output-terminal, secure locking hinge, one-touch structure makes easy to install to the existent equipments such as a power distribution boards.
- Isolated plastic case recognized according to UL94-V0
- UL / EN 61010 -1 certified

### BENEFITS

- Small-size, light-weight
- Simple Installation
- Over-Voltage protection circuit is installed.

### NOTICE

- If you impact the core contact surface, internal core material could be damaged.(Ø16 type)
- Core contact surface is waterproofed, however if it gets rusty, you could reuse after removing rusts with spraying WD-40 or CRC5-56 on the rusted side(Ø24, Ø36 type).
- Do not use any other chemicals except WD-40 or CRC5-56 on housing or any other parts.
- Please use only the original output screws. Not recommended to replace it with anything else.
- Customizing output lead wire

### SPECIFICATION

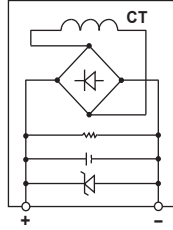
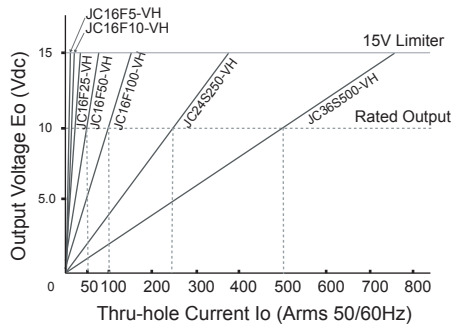
(F=50/60Hz)

Model	JCXXFXXX-VH		JCXXSXXX-VH	
	Ø16	Ø24	Ø24	Ø36
Current Range(Arms)	0-5, 10, 20, 25, 50, 100	250	250	500
Max. Allowable Current	100%(Continuous), 150%(1mim.)			
Output	0~10V DC (Average)/0~Rated Current, 15V DC Limiter built-in			
Accuracy / Linearity	±2% FS. Dynamic Range 1:100 at 50/60Hz Sinewave			
Output Impedance	23 kΩ			
Sensor Supply Voltage	Self-Powered			
Response Time	300ms			
Output Ripple Voltage	Within 5% of Output Voltage			
Output Terminals	2 x M3-Screw, with Terminals cover			
Insulation Category	CATIII			
Operating Condition	-20°C~+50°C, ≤85%RH, No condensation, In-house & Any direction installable			
Storage Condition	-30°C~+90°C, ≤85%RH, No condensation			



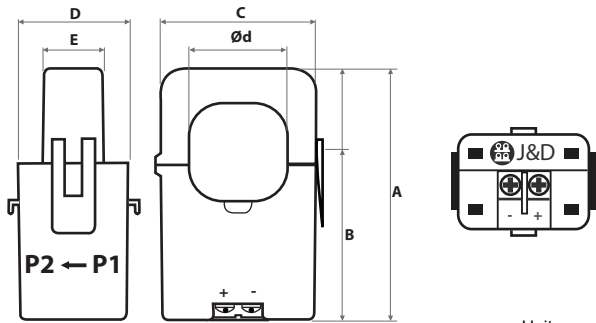
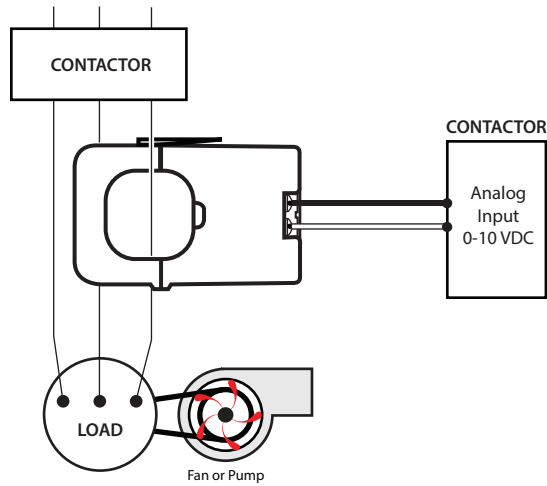
## PERFORMANCE / INTERNAL CIRCUIT DRAWINGS

### JC VH Average



		JCØFXXX-VH					JCØSXXX-VH	
Std. Model	Ø	16					24	36
	XXX	5	10	20	25	50	100	250
Output Impedance(kΩ)		23						

## APPLICATIONS / DIMENSIONS



Unit : mm

Model	A	B	C	D	E	Ød
JC16F	55	41	29.5	31	19	16
JC24S	74.5	52	45	34	22	24
JC36S	91	62	57	40.5	22	36